

BBF-FSK/KSF/V-HS DN15-DN150

Технические характеристики

По вопросам продаж и поддержки обращайтесь:

Алматы (7273)495-231	Казань (843)206-01-48	Новокузнецк (3843)20-46-81	Смоленск (4812)29-41-54
Архангельск (8182)63-90-72	Калининград (4012)72-03-81	Новосибирск (383)227-86-73	Сочи (862)225-72-31
Астрахань (8512)99-46-04	Калуга (4842)92-23-67	Омск (3812)21-46-40	Ставрополь (8652)20-65-13
Барнаул (3852)73-04-60	Кемерово (3842)65-04-62	Орел (4862)44-53-42	Сургут (3462)77-98-35
Белгород (4722)40-23-64	Киров (8332)68-02-04	Оренбург (3532)37-68-04	Тверь (4822)63-31-35
Брянск (4832)59-03-52	Краснодар (861)203-40-90	Пенза (8412)22-31-16	Томск (3822)98-41-53
Владивосток (423)249-28-31	Красноярск (391)204-63-61	Пермь (342)205-81-47	Тула (4872)74-02-29
Волгоград (844)278-03-48	Курск (4712)77-13-04	Ростов-на-Дону (863)308-18-15	Тюмень (3452)66-21-18
Вологда (8172)26-41-59	Липецк (4742)52-20-81	Рязань (4912)46-61-64	Ульяновск (8422)24-23-59
Воронеж (473)204-51-73	Магнитогорск (3519)55-03-13	Самара (846)206-03-16	Уфа (347)229-48-12
Екатеринбург (343)384-55-89	Москва (495)268-04-70	Санкт-Петербург (812)309-46-40	Хабаровск (4212)92-98-04
Иваново (4932)77-34-06	Мурманск (8152)59-64-93	Саратов (845)249-38-78	Челябинск (351)202-03-61
Ижевск (3412)26-03-58	Набережные Челны (8552)20-53-41	Севастополь (8692)22-31-93	Череповец (8202)49-02-64
Иркутск (395)279-98-46	Нижний Новгород (831)429-08-12	Симферополь (3652)67-13-56	Ярославль (4852)69-52-93
Россия (495)268-04-70	Киргизия (996)312-96-26-47	Казахстан (7172)727-132	

BBF/FSK/KSF-V-HS

BALL VALVE FOR VENTING AND DRAINING WITH FLANGE AND WELDING END

DN 15-150 | PN 25

FULL BORE



INFORMATION

Ball valve with Flange and Weld end

/// Operating temperature up to +150 °C

/// From DN125 Trunnion mounted ball is standard

/// Flange drilled and dimensioned according to EN 1092 - pressure rating PN 25.
Observe pressure-temperature rating
Flange dimensions: see supplementary sheet

MATERIALS

Body Forged Steel / Steel

Flansch Steel

Schweißende Steel

Ball Stainless steel

Ball Seals PTFE

Stem Seals EPDM

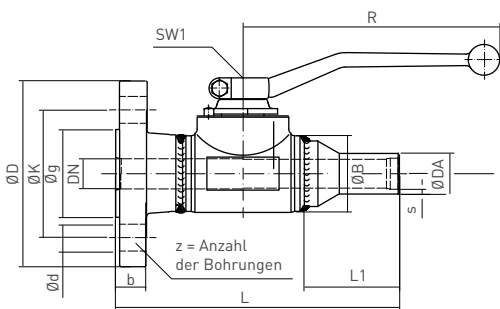
OPTIONS

/// Suitable for steam

/// Further options for this ball valve according to the list on the „Options“ supplementary sheet

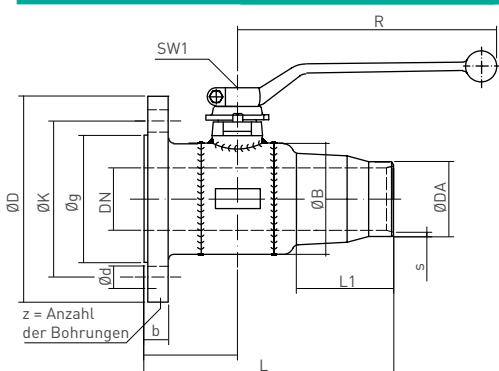
/// For deviating operating conditions please send us a written request stating the fluids, as well as the pressure and temperature range.

Not suitable for oxyacetylene welding



DN [mm]	PN [bar]	Da [mm]	s [mm]	L [mm]	L1 [mm]	B [mm]	D [mm]	R [mm]	SW1 [mm]	Weight [kg]	Article-No.
15	25	21.3	2.6		104	39	95	130	10	1.7	050.9125
20	25	26.9	3.2		103	44	105	130	10	2.3	050.9126
25	25	33.7	3.2		100	54	115	180	12	3.1	050.9127
32	25	42.4	3.2		94	64	140	205	16	4.2	050.9128
40	25	48.3	3.2		91	76	150	205	16	5.2	050.9129
50	25	60.3	3.6	200	78	89	165	205	16	7.8	050.0143
65	25	76.1	3.6	280	80	121	185	300	16	11.6	050.0773
80	25	88.9	4.0	295	78	140	200	350	22	14.2	050.0732
100	25	114.3	4.0	325	80	171	235	350	22	21.9	050.0743
125	25	139.7	4.5	338	90	203	270	500	22	33.0	050.0753
150	25	168.3	5.0	375	90	254	300	600	32	58.0	050.1501

Suitable for oxyacetylene welding, Ensure sufficient cooling of the housing body.



DN [mm]	PN [bar]	Da [mm]	s [mm]	L [mm]	L1 [mm]	B [mm]	D [mm]	R [mm]	SW1 [mm]	Weight [kg]	Article-No.
15	25	21.3	2.6	200	104	39	95	130	10	1.7	050.0724
20	25	26.9	3.2	210	103	44	105	130	10	2.3	050.6489
25	25	33.7	3.2	215	100	54	115	180	12	3.1	050.9847
32	25	42.4	3.2	200	94	64	140	205	16	4.2	050.0141
40	25	48.3	3.2	205	91	76	150	205	16	5.2	050.0142

OPTIONS

	Underground Ball valves HE					Standard Ball valvesHS						
	KSF V KSF R	ELF/ESF V	EMG/ESF V	KSF V KSF R Tie-in ball valve	KSF V (Hot tapping ball valve)	KSF V KSF R	FSK V FSK R	FSL V	FSL/KSF V + FSK/KSF V FSL/KSF R + FSK/KSF R	KSG/KSF V	KSG V	KSF V (Hot tapping ball valve)
Variable lengths for underground installation ¹	✓											
Special lengths		✓	✓			✓		✓	✓	✓		
Variable stem extensions for underground installation ²	✓											
Stem extension 60 mm /100 mm						✓	✓	✓	✓	✓	✓	✓
Spigot for drain and vent ball valve	✓											
Test connection from DN150 (with plug or ball valve)						✓	✓	✓				
greater wall thicknesses for extreme axial loads or corrosion surcharges	✓											
With Flange/Weld end from DN125					✓							
Suitable for steam	✓			✓	✓	✓	✓	✓			✓	

¹Variable overall lengths for installation in the ground:

The overall lengths specified in the catalog correspond to the standard dimensions. Other overall lengths are available on request as special production.

²Variable spindle extensions for buried installation:

The dome height of 350 mm shown in the catalog corresponds to the standard. In addition, dome heights of 500 mm, 750 mm and 1000 mm can be manufactured on request.

Tender specification texts are available for download on our website.

TECHNICAL INFORMATION

Wall thicknesses for ball valves for underground installation

The pipe ends used for BÖHMER inground district heating ball valves comply with the requirements of AD-Merkblatt B9 for the necking of pipes. Necking for drain and vent lines can be carried out on these pipes without falling below the minimum

wall thickness requirements of EN488. The following wall thicknesses refer to the pipe material used. These are machined at the weld preparation by wall thickness adjustment.

DN	20	25	32	40	50
Pipe dimensions	26,9 x 3,2	33,7 x 3,2	42,4 x 3,2	48,3 x 3,6	60,3 x 3,6
DN	65	80	100	125	150
Pipe dimensions	76,1 x 4,0	88,9 x 4,5	114,3 x 4,5	139,7 x 4,5	168,3 x 5,0
DN	200	250	300	350	400
Pipe dimensions	219,1 x 6,3	273,0 x 7,1	323,9 x 8,0	355,6 x 8,0	406,4 x 8,8

Flange dimensions

For all ball valves the standard for flange connections EN1092 is complied with. Below you will find an overview of the flange connection dimensions for pressure ratings PN10 - PN40, which

were not listed in the data sheets for reasons of clarity. The flange sheet thicknesses may deviate upwards from the dimensions required in the standard for manufacturing reasons.

DN	PN10	PN16	PN25	PN40	D	g	K	b	z	d
10	X	X	X	X	90	40	60	16	4	14
15	X	X	X	X	95	45	65	16	4	14
20	X	X	X	X	105	58	75	18	4	14
25	X	X	X	X	115	68	85	18	4	14
32	X	X	X	X	140	78	100	18	4	18
40	X	X	X	X	150	88	110	18	4	18
50	X	X	X	X	165	102	125	20	4	18
65	X	X			185	122	145	22	4	18
65			X	X	185	122	145	22	8	18
80	X	X	X	X	200	138	160	24	8	18
100	X	X			220	158	180	20	8	18
100			X	X	235	162	190	24	8	22
125	X	X			250	188	210	22	8	18
125			X	X	270	188	220	26	8	26
150	X	X			285	212	240	22	8	22
150			X	X	300	218	250	28	8	26
200	X				340	268	295	24	8	22
200		X			340	268	295	24	12	22
200			X		360	278	310	30	12	26
200				X	375	285	320	34	12	30
250	X				395	320	350	26	12	22
250		X			405	320	355	26	12	26
250			X		425	335	370	32	12	30
250				X	450	345	385	38	12	33
300	X				445	370	400	26	12	22
300		X			460	378	410	28	12	26
300			X		485	395	430	34	16	30
300				X	515	410	450	42	16	33
350	X				505	430	460	26	16	22
350		X			520	438	470	30	16	26
350			X		555	450	490	38	16	33
350				X	580	465	510	46	16	36
400	X				565	482	515	26	16	26
400		X			580	490	525	32	16	30
400			X		620	505	550	40	16	36
400				X	660	535	585	50	16	39

По вопросам продаж и поддержки обращайтесь:

Алматы (7273)495-231	Казань (843)206-01-48	Новокузнецк (3843)20-46-81	Смоленск (4812)29-41-54
Архангельск (8182)63-90-72	Калининград (4012)72-03-81	Новосибирск (383)227-86-73	Сочи (862)225-72-31
Астрахань (8512)99-46-04	Калуга (4842)92-23-67	Омск (3812)21-46-40	Ставрополь (8652)20-65-13
Барнаул (3852)73-04-60	Кемерово (3842)65-04-62	Орел (4862)44-53-42	Сургут (3462)77-98-35
Белгород (4722)40-23-64	Киров (8332)68-02-04	Оренбург (3532)37-68-04	Тверь (4822)63-31-35
Брянск (4832)59-03-52	Краснодар (861)203-40-90	Пенза (8412)22-31-16	Томск (3822)98-41-53
Владивосток (423)249-28-31	Красноярск (391)204-63-61	Пермь (342)205-81-47	Тула (4872)74-02-29
Волгоград (844)278-03-48	Курск (4712)77-13-04	Ростов-на-Дону (863)308-18-15	Тюмень (3452)66-21-18
Вологда (8172)26-41-59	Липецк (4742)52-20-81	Рязань (4912)46-61-64	Ульяновск (8422)24-23-59
Воронеж (473)204-51-73	Магнитогорск (3519)55-03-13	Самара (846)206-03-16	Уфа (347)229-48-12
Екатеринбург (343)384-55-89	Москва (495)268-04-70	Санкт-Петербург (812)309-46-40	Хабаровск (4212)92-98-04
Иваново (4932)77-34-06	Мурманск (8152)59-64-93	Саратов (845)249-38-78	Челябинск (351)202-03-61
Ижевск (3412)26-03-58	Набережные Челны (8552)20-53-41	Севастополь (8692)22-31-93	Череповец (8202)49-02-64
Иркутск (395)279-98-46	Нижний Новгород (831)429-08-12	Симферополь (3652)67-13-56	Ярославль (4852)69-52-93
Россия (495)268-04-70	Киргизия (996)312-96-26-47	Казахстан (7172)727-132	